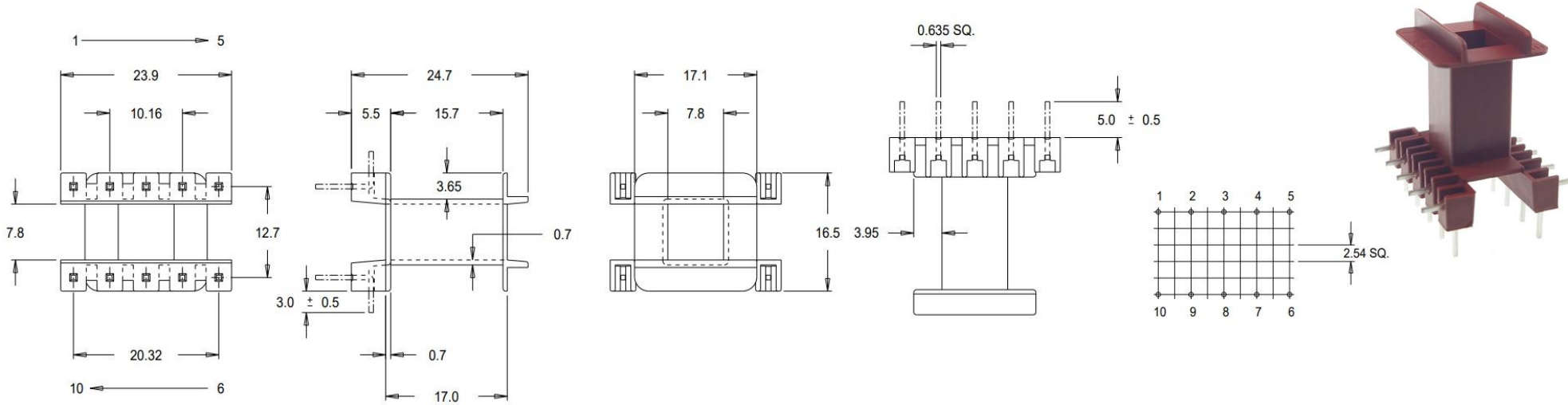




FE0106



Part Number FE0106	Part Weight (g) 2.1	Carton Quantity 2000	Pinning Configuration TPB-SQ-064 1:2:3:4:5:6:7:8:9:10:
Order Code FE0106FGNNAT0001	Material Nylon PA66	Carton Size (mm) 465x315x260	Pin Length (mm) (from standoff) 3.0
Part Description Bobbin E25/13/7 V 10P 1S UL94V0	Material Datasheets	Related Items EF25CLIPEM-01	Terminal Pin Material Phosphor Bronze
Product Range E/EF Range	UL Rating UL94V0	3D CAD Image	Compliance information
MILES - PLATTS			
+44 (0)116 264 3850 milesplatts.co.uk enquiries@milesplatts.co.uk			